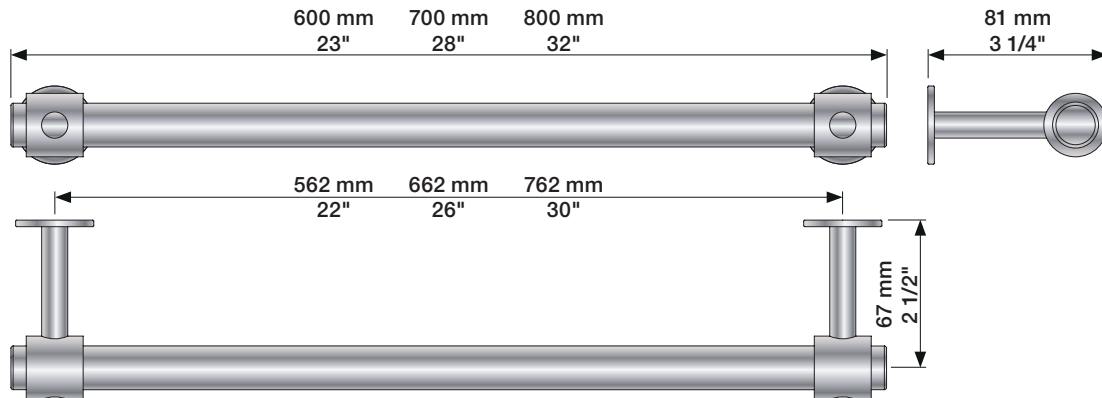


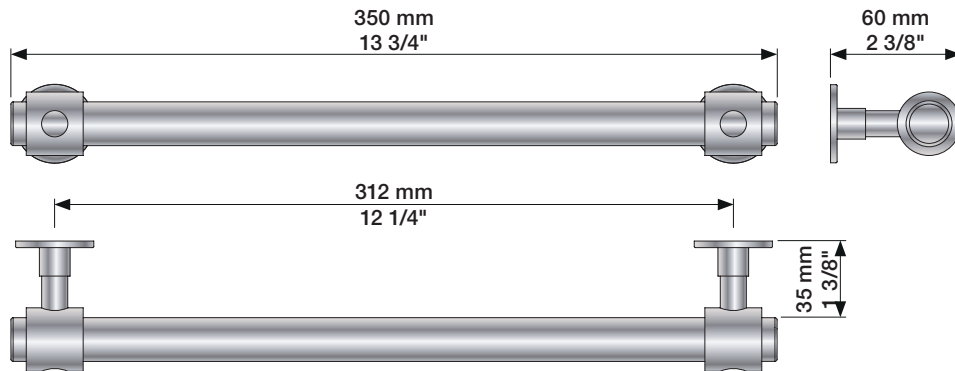
T19/6 - T19/7 - T19/8

T19/6:	T19/7:	T19/8:
600 mm	700 mm	800 mm
23"	28"	32"

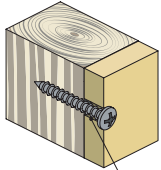


T23

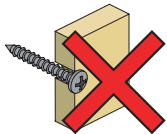
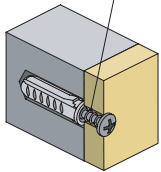
350 mm
13 3/4"



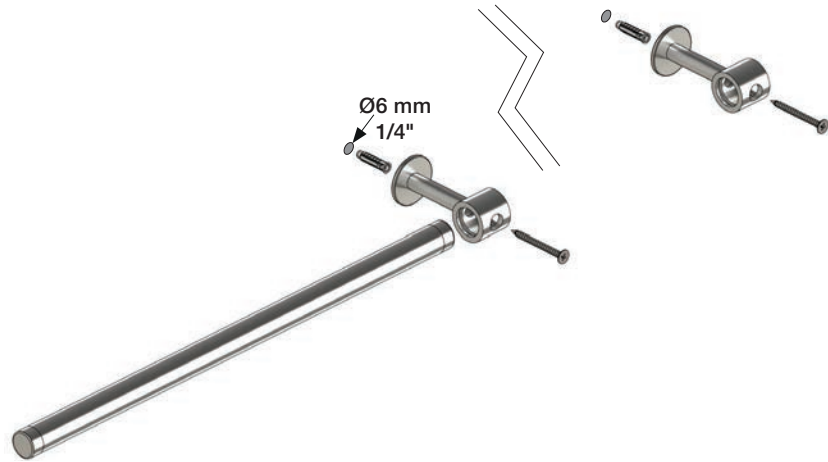
Light frame wall construction
Leichtbauwand
Let væg
mellanbjälklag trä
Hollewand constructie
Construction légère



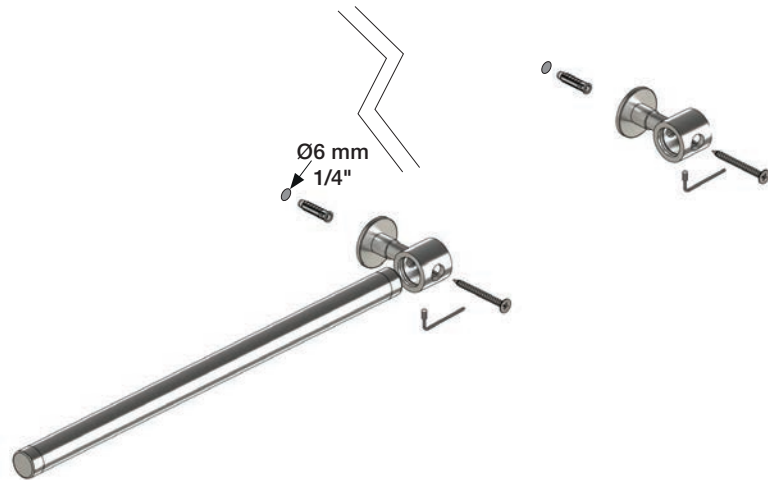
Solid wall/Masonry
Mauerwerk
Tungvæg
mellanbjälklag betong etc.
Massieve wand
Mur plein

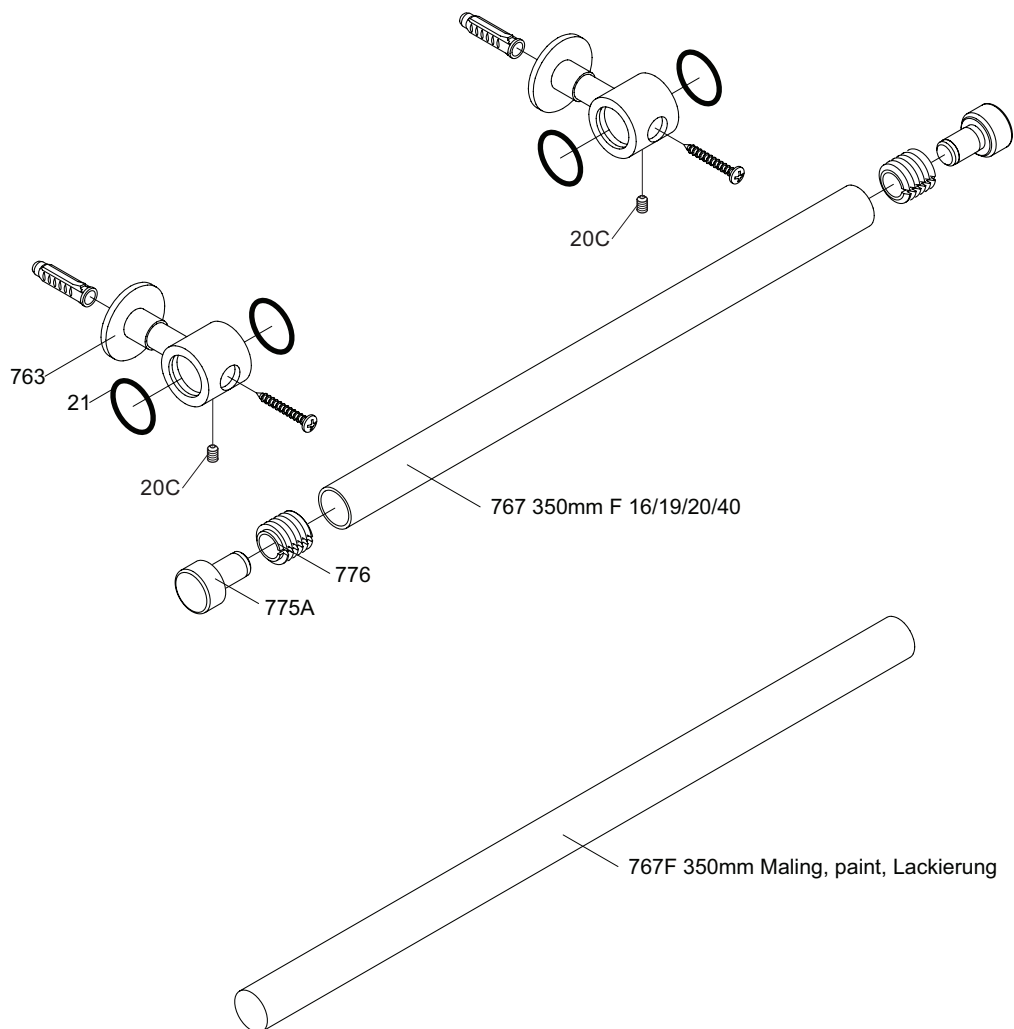


T19/6 - T19/7 - T19/8



T23 - 1





vola
 Lunavej 2
 DK-8700 Horsens
 Tlf : + 45 7023 5500
 Fax: + 45 7023 5511
 sales@vola.com
 www.vola.com

VOLA T23

Date
 Apr. 03

Rev.
 2

Sheet
 SB 42.14